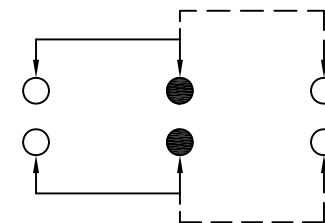
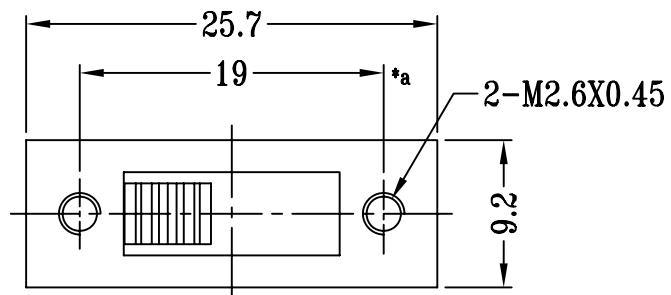
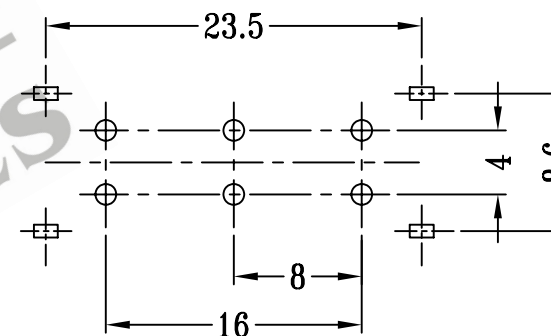
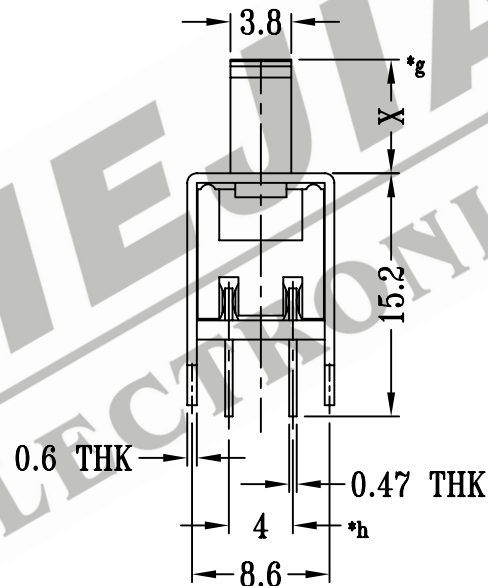
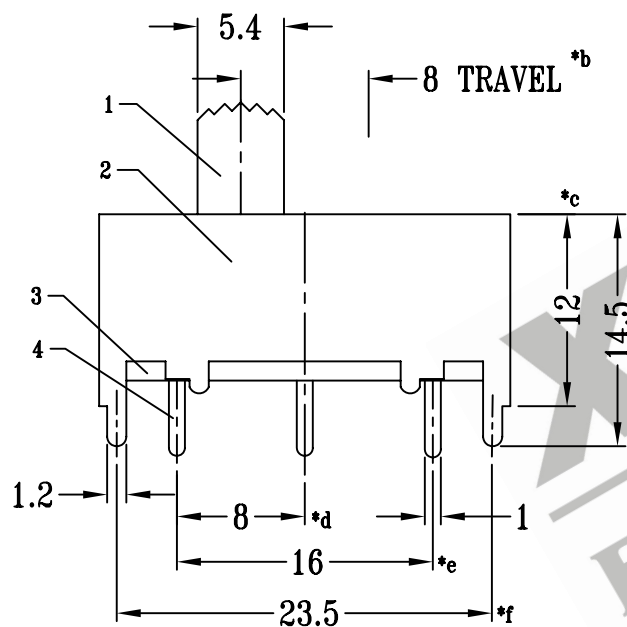


CAD FILE:



SCHMATIC (SHORTING)



P.C.B LAYOUT

注:带"*"表示关键尺寸(8个)

NO.	PARTS	MATERIALS	Q'TY	FINISH	TOLERANCE UNLESS SPECIFIED	SHENZHEN XIEJIA ELECTRONICS CO.,LTD.				
8						TITLE : VERTICAL SLIDE SWITCH				
7	CONTACT (CLIP)	PBS STRIP	2	Ag PLATED	UNLESS SPECIFIED					UNIT : mm
6	STEEL BALL	STEEL	2	NATURAL	WITHIN: 1.5±0.1mm OVER : 1.5±0.2mm	DRWG NO.: XJ-DR-SS22P01-00				
5	SPRING	STEEL WIRE	1	TEMPER		ISSUE	DATE	DESCRIPTIONS OF REVISION		APPD.
4	TERMINAL	BRASS STRIP	6	Ag PLATED OVER Ni PLATED		SCALE: 2:1		DWN.	ZHOUYU	2004-3-17
3	TERMINAL BASE	PHENOLIC RESIN	1	BLACK				CHK'D	FANGYING	2004-3-17
2	FRAME	STEEL STRIP	1	Ni PLATED				APPD.	KANGXINAN	2004-3-17
1	KNOB	POM	1	BLACK				ALL MATERIALS MUST BE COMPLIANT TO ROHS		